



NJM7800

3-TERMINAL POSITIVE VOLTAGE REGULATOR

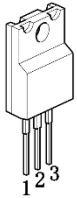
FEATURES

- Internal Short Circuit Current Limit
- Excellent Ripple Rejection
- Guarantee'd 1.5A Output Current
- Package Outline TO-220F, TO-252
- Bipolar Technology

GENERAL DESCRIPTION

The NJM7800 series of monolithic 3-Terminal Positive Voltage Regulators is constructed using the Nisshinbo Micro Devices planar epitaxial process. These regulators employ internal current-limiting, thermal-shutdown and safe-area compensation making them essentially indestructible. If adequate heat sinking is provided, they can deliver over 1A output current. They are intended as fixed voltage regulators in a wide range of applications including local (on card) regulation for elimination of distribution problems associated with single point regulation. In addition to use as fixed voltage regulators, these devices can be used with external components to obtain adjustable output voltages and currents.

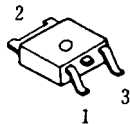
(TO-220F)



NJM7800FA

- 1. IN
- 2. GND
- 3. OUT

(TO-252)

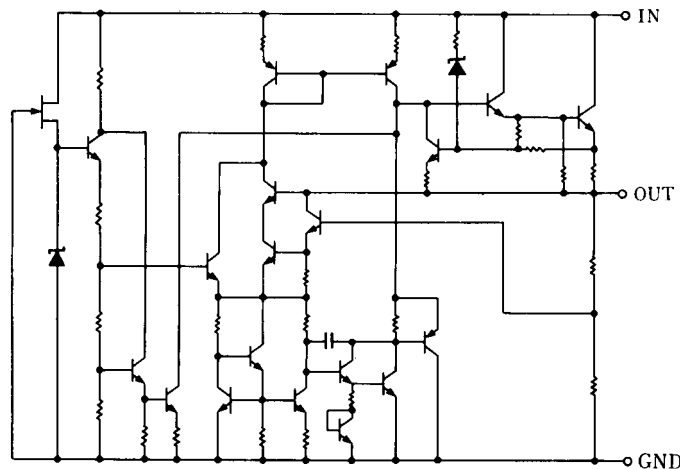


NJM7800DL1A

- 1. IN
- 2. GND
- 3. OUT

(note) The radiation fin is connected pin2.

EQUIVALENT CIRCUIT



■ ABSOLUTE MAXIMUM RATINGS

(Ta=25°C)

PARAMETER	SYMBOL	MAXIMUM RATINGS		UNIT
Input Voltage	V _{IN}	7805 to 7810 7812 to 7815 7818 to 7824	35 35 40	V
Storage Temperature Range	T _{stg}	-40 to +150		°C
Operating Temperature Range		Operating Junction Temperature	T _j	-40 to +150
		Operating Junction Temperature	T _{opr}	-40 to +85
Power Dissipation	P _D	TO-220F TO-252	16(T _c ≤70°C) 10(T _c =25°C) 1(T _a ≤25°C)	W

■ ELECTRICAL CHARACTERISTICS (C₁=0.33μF, C_O=0.1μF, T_j=25°C)

Measurement is to be conducted in pulse testing.

PARAMETER	SYMBOL	TEST CONDITIONS	TO-220F			TO-252			UNIT
			MIN.	TYP.	MAX.	MIN.	TYP.	MAX.	
NJM7805FA/DL1A									
Output Voltage	V _O	V _{IN} =10V, I _O =0.5A	4.8	5.0	5.2	4.8	5.0	5.2	V
Line Regulation	ΔV _O - V _{IN}	V _{IN} =7 to 25V, I _O =0.5A	-	3	50	-	3	100	mV
Load Regulation	ΔV _O - I _O	V _{IN} =10V, I _O =0.005 to 1.5A	-	15	50	-	15	100	mV
Quiescent Current	I _Q	V _{IN} =10V, I _O =0mA	-	4.2	6.0	-	4.2	6.0	mA
Average Temperature Coefficient of Output Voltage	ΔV _O /ΔT	V _{IN} =10V, I _O =5mA	-	-0.5	-	-	-0.5	-	mV/°C
Ripple Rejection	RR	V _{IN} =10V, I _O =0.5A, e _{in} =2V _{P-P} , f=120Hz	68	78	-	68	78	-	dB
Output Noise Voltage	V _{NO}	V _{IN} =10V, BW=10Hz to 100kHz, I _O =0.5A	-	45	-	-	45	-	μV
NJM7806FA/DL1A									
Output Voltage	V _O	V _{IN} =11V, I _O =0.5A	5.75	6.0	6.25	5.75	6.0	6.25	V
Line Regulation	ΔV _O - V _{IN}	V _{IN} =8 to 25V, I _O =0.5A	-	5	60	-	5	120	mV
Load Regulation	ΔV _O - I _O	V _{IN} =11V, I _O =0.005 to 1.5A	-	15	60	-	15	120	mV
Quiescent Current	I _Q	V _{IN} =11V, I _O =0mA	-	4.3	6.0	-	4.3	6.0	mA
Average Temperature Coefficient of Output Voltage	ΔV _O /ΔT	V _{IN} =11V, I _O =5mA	-	-0.6	-	-	-0.6	-	mV/°C
Ripple Rejection	RR	V _{IN} =11V, I _O =0.5A, e _{in} =2V _{P-P} , f=120Hz	65	75	-	65	75	-	dB
Output Noise Voltage	V _{NO}	V _{IN} =11V, BW=10Hz to 100kHz, I _O =0.5A	-	45	-	-	45	-	μV

■ ELECTRICAL CHARACTERISTICS (C₁=0.33μF, C_O=0.1μF, T_F=25°C)

Measurement is to be conducted in pulse testing.

PARAMETER	SYMBOL	TEST CONDITIONS	TO-220F			TO-252			UNIT
			MIN.	TYP.	MAX.	MIN.	TYP.	MAX.	
NJM7808FA/DL1A									
Output Voltage	V _O	V _{IN} =14V, I _O =0.5A	7.7	8.0	8.3	7.7	8.0	8.3	V
Line Regulation	ΔV _O - V _{IN}	V _{IN} =10.5 to 25V, I _O =0.5A	-	6	80	-	6	160	mV
Load Regulation	ΔV _O - I _O	V _{IN} =14V, I _O =0.005 to 1.5A	-	15	80	-	15	160	mV
Quiescent Current	I _Q	V _{IN} =14V, I _O =0mA	-	4.3	6.0	-	4.3	6.0	mA
Average Temperature Coefficient of Output Voltage	ΔV _O /ΔT	V _{IN} =14V, I _O =5mA	-	-0.8	-	-	-0.8	-	mV/°C
Ripple Rejection	RR	V _{IN} =14V, I _O =0.5A, e _{in} =2V _{P-P} , f=120Hz	62	72	-	62	72	-	dB
Output Noise Voltage	V _{NO}	V _{IN} =14V, BW=10Hz to 100kHz, I _O =0.5A	-	55	-	-	55	-	μV
NJM7809FA/DL1A									
Output Voltage	V _O	V _{IN} =15V, I _O =0.5A	8.65	9.0	9.35	8.65	9.0	9.35	V
Line Regulation	ΔV _O - V _{IN}	V _{IN} =11.5 to 25V, I _O =0.5A	-	7	90	-	7	180	mV
Load Regulation	ΔV _O - I _O	V _{IN} =15V, I _O =0.005 to 1.5A	-	15	90	-	15	180	mV
Quiescent Current	I _Q	V _{IN} =15V, I _O =0mA	-	4.3	6.0	-	4.3	6.0	mA
Average Temperature Coefficient of Output Voltage	ΔV _O /ΔT	V _{IN} =15V, I _O =5mA	-	-0.9	-	-	-0.9	-	mV/°C
Ripple Rejection	RR	V _{IN} =15V, I _O =0.5A, e _{in} =2V _{P-P} , f=120Hz	62	72	-	62	72	-	dB
Output Noise Voltage	V _{NO}	V _{IN} =15V, BW=10Hz to 100kHz, I _O =0.5A	-	60	-	-	60	-	μV
NJM7810FA/DL1A									
Output Voltage	V _O	V _{IN} =17V, I _O =0.5A	9.60	10.0	10.4	9.6	10.0	10.4	V
Line Regulation	ΔV _O - V _{IN}	V _{IN} =12.5 to 25V, I _O =0.5A	-	7	100	-	7	200	mV
Load Regulation	ΔV _O - I _O	V _{IN} =17V, I _O =0.005 to 1.5A	-	15	130	-	15	200	mV
Quiescent Current	I _Q	V _{IN} =17V, I _O =0mA	-	4.3	6.0	-	4.3	6.0	mA
Average Temperature Coefficient of Output Voltage	ΔV _O /ΔT	V _{IN} =17V, I _O =5mA	-	-0.9	-	-	-1.0	-	mV/°C
Ripple Rejection	RR	V _{IN} =17V, I _O =0.5A, e _{in} =2V _{P-P} , f=120Hz	62	72	-	62	72	-	dB
Output Noise Voltage	V _{NO}	V _{IN} =17V, BW=10Hz to 100kHz, I _O =0.5A	-	60	-	-	65	-	μV

■ ELECTRICAL CHARACTERISTICS (C₁=0.33μF, C_O=0.1μF, T_J=25°C)

Measurement is to be conducted in pulse testing.

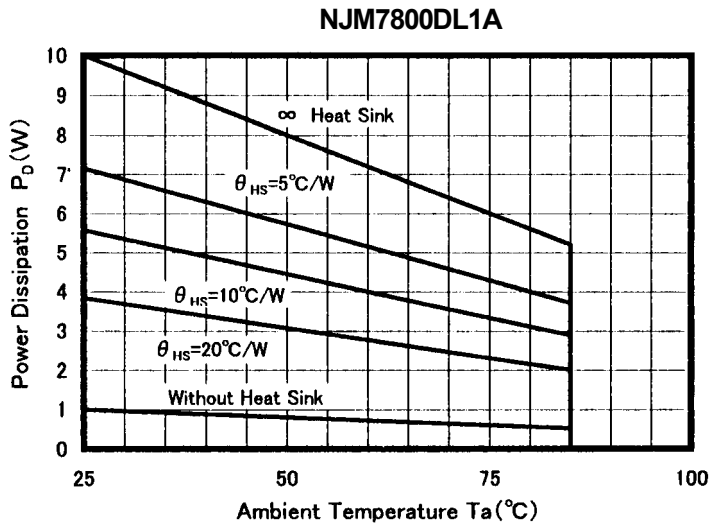
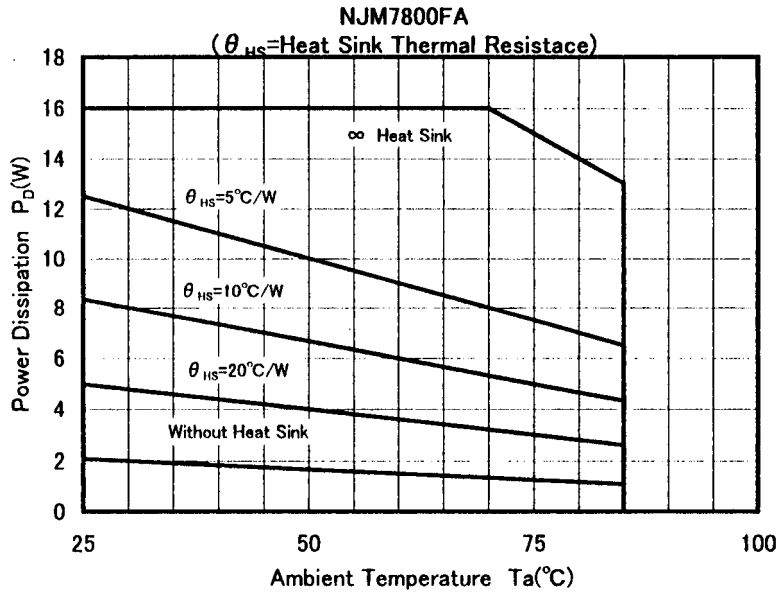
PARAMETER	SYMBOL	TEST CONDITIONS	TO-220F			TO-252			UNIT
			MIN.	TYP.	MAX.	MIN.	TYP.	MAX.	
NJM7812FA/DL1A									
Output Voltage	V _O	V _{IN} =19V, I _O =0.5A	11.5	12.0	12.5	11.5	12.0	12.5	V
Line Regulation	ΔV _O - V _{IN}	V _{IN} =14.5 to 30V, I _O =0.5A	-	10	120	-	10	240	mV
Load Regulation	ΔV _O - I _O	V _{IN} =19V, I _O =0.005 to 1.5A	-	25	120	-	25	240	mV
Quiescent Current	I _Q	V _{IN} =19V, I _O =0mA	-	4.3	6.0	-	4.3	6.0	mA
Average Temperature Coefficient of Output Voltage	ΔV _O /ΔT	V _{IN} =19V, I _O =5mA	-	-1.2	-	-	-1.2	-	mV/°C
Ripple Rejection	RR	V _{IN} =19V, I _O =0.5A, e _{in} =2V _{P-P} , f=120Hz	61	71	-	61	71	-	dB
Output Noise Voltage	V _{NO}	V _{IN} =19V, BW=10Hz to 100kHz, I _O =0.5A	-	75	-	-	75	-	μV
NJM7815FA/DL1A									
Output Voltage	V _O	V _{IN} =23V, I _O =0.5A	14.4	15.0	15.6	14.4	15.0	15.6	V
Line Regulation	ΔV _O - V _{IN}	V _{IN} =17.5 to 30V, I _O =0.5A	-	11	150	-	11	300	mV
Load Regulation	ΔV _O - I _O	V _{IN} =23V, I _O =0.005 to 1.5A	-	35	150	-	35	300	mV
Quiescent Current	I _Q	V _{IN} =23V, I _O =0mA	-	4.4	6.0	-	4.4	6.0	mA
Average Temperature Coefficient of Output Voltage	ΔV _O /ΔT	V _{IN} =23V, I _O =5mA	-	-1.5	-	-	-1.5	-	mV/°C
Ripple Rejection	RR	V _{IN} =23V, I _O =0.5A, e _{in} =2V _{P-P} , f=120Hz	60	70	-	60	70	-	dB
Output Noise Voltage	V _{NO}	V _{IN} =23V, BW=10Hz to 100kHz, I _O =0.5A	-	90	-	-	90	-	μV
NJM7818FA/DL1A									
Output Voltage	V _O	V _{IN} =27V, I _O =0.5A	17.3	18.0	18.7	17.3	18.0	18.7	V
Line Regulation	ΔV _O - V _{IN}	V _{IN} =21 to 33V, I _O =0.5A	-	15	180	-	15	360	mV
Load Regulation	ΔV _O - I _O	V _{IN} =27V, I _O =0.005 to 1.5A	-	55	180	-	55	360	mV
Quiescent Current	I _Q	V _{IN} =27V, I _O =0mA	-	4.5	6.0	-	4.5	6.0	mA
Average Temperature Coefficient of Output Voltage	ΔV _O /ΔT	V _{IN} =27V, I _O =5mA	-	-1.8	-	-	-1.8	-	mV/°C
Ripple Rejection	RR	V _{IN} =27V, I _O =0.5A, e _{in} =2V _{P-P} , f=120Hz	59	69	-	59	69	-	dB
Output Noise Voltage	V _{NO}	V _{IN} =27V, BW=10Hz to 100kHz, I _O =0.5A	-	100	-	-	100	-	μV
NJM7820FA/DL1A									
Output Voltage	V _O	V _{IN} =29V, I _O =0.5A	19.2	20.0	20.8	19.2	20.0	20.8	V
Line Regulation	ΔV _O - V _{IN}	V _{IN} =23 to 35V, I _O =0.5A	-	16	200	-	16	400	mV
Load Regulation	ΔV _O - I _O	V _{IN} =29V, I _O =0.005 to 1.5A	-	61	200	-	61	400	mV
Quiescent Current	I _Q	V _{IN} =29V, I _O =0mA	-	4.5	6.0	-	4.5	6.0	mA
Average Temperature Coefficient of Output Voltage	ΔV _O /ΔT	V _{IN} =29V, I _O =5mA	-	-2.0	-	-	-2.0	-	mV/°C
Ripple Rejection	RR	V _{IN} =29V, I _O =0.5A, e _{in} =2V _{P-P} , f=120Hz	58	68	-	58	68	-	dB
Output Noise Voltage	V _{NO}	V _{IN} =29V, BW=10Hz to 100kHz, I _O =0.5A	-	120	-	-	120	-	μV

■ ELECTRICAL CHARACTERISTICS (C₁=0.33μF, C_O=0.1μF, T_J=25°C)

Measurement is to be conducted in pulse testing.

PARAMETER	SYMBOL	TEST CONDITIONS	TO-220F			TO-252			UNIT
			MIN.	TYP.	MAX.	MIN.	TYP.	MAX.	
NJM7824FA/DL1A									
Output Voltage	V _O	V _{IN} =33V, I _O =0.5A	23.0	24.0	25.0	23.0	24.0	25.0	V
Line Regulation	ΔV _O - V _{IN}	V _{IN} =27 to 38V, I _O =0.5A	-	18	240	-	18	480	mV
Load Regulation	ΔV _O - I _O	V _{IN} =33V, I _O =0.005 to 1.5A	-	65	240	-	65	480	mV
Quiescent Current	I _Q	V _{IN} =33V, I _O =0mA	-	4.6	6.0	-	4.6	6.0	mA
Average Temperature Coefficient of Output Voltage	ΔV _O /ΔT	V _{IN} =33V, I _O =5mA	-	-2.4	-	-	-2.4	-	mV/°C
Ripple Rejection	RR	V _{IN} =33V, I _O =0.5A, e _{in} =2V _{P-P} , f=120Hz	56	66	-	56	66	-	dB
Output Noise Voltage	V _{No}	V _{IN} =33V, BW=10Hz to 100kHz, I _O =0.5A	-	120	-	-	120	-	μV

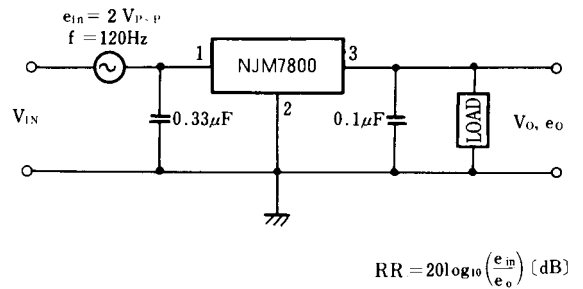
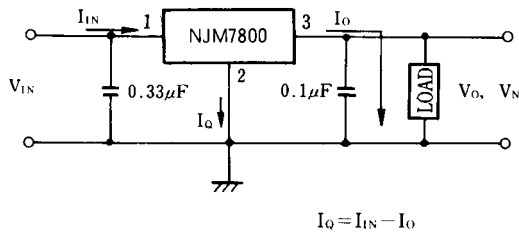
■ POWER DISSIPATION VS. AMBIENT TEMPERATURE



■ TEST CIRCUIT

1. Output Voltage, Line Regulation, Load Regulation, Quiescent Current, Average Temperature Coefficient of Output Voltage, Output Noise Voltage

2. Ripple Rejection



■ Input Capacitor C_{IN}

Input Capacitor C_{IN} is required to prevent oscillation and reduce power supply ripple for applications when high power supply impedance or a long power supply line.

Therefore, use the recommended C_{IN} value (refer to conditions of ELECTRIC CHARACTERISTIC) or larger and should connect between GND and V_{IN} as shortest path as possible to avoid the problem.

■ Output Capacitor C_O

Output capacitor (C_O) will be required for a phase compensation of the internal error amplifier.

The capacitance and the equivalent series resistance (ESR) influence to stable operation of the regulator.

Use of a smaller C_O may cause excess output noise or oscillation of the regulator due to lack of the phase compensation.

On the other hand, Use of a larger C_O reduces output noise and ripple output, and also improves output transient response when rapid load change.

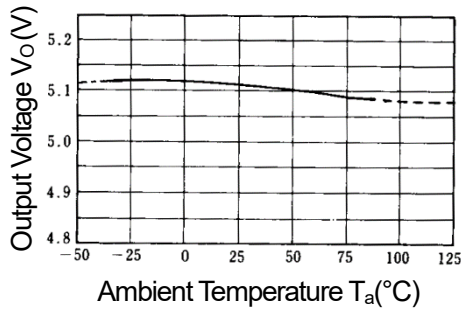
Therefore, use the recommended C_O value (refer to conditions of ELECTRIC CHARACTERISTIC) or larger and should connect between GND and V_{OUT} as shortest path as possible for stable operation

In addition, you should consider varied characteristics of capacitor (a frequency characteristic, a temperature characteristic, a DC bias characteristic and so on) and unevenness peculiar to a capacitor supplier enough.

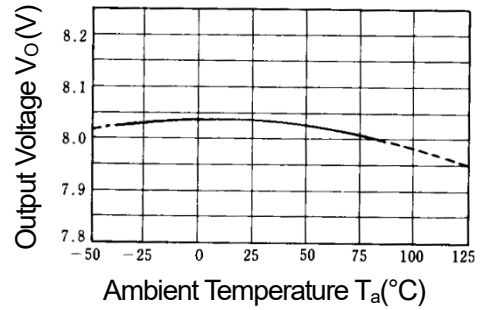
When selecting C_O , recommend that have withstand voltage margin against output voltage and superior temperature characteristic though

■ TYPICAL CHARACTERISTICS

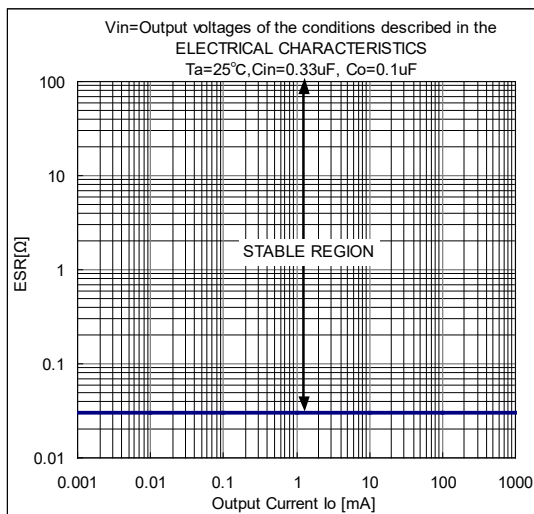
NJM7805 Output Voltage vs. Temperature



NJM7808 Output Voltage vs. Temperature

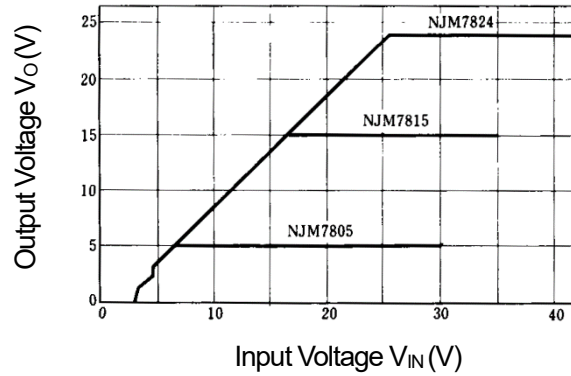


NJM78M00 Series Equivalent Series Resistance vs. Output Current

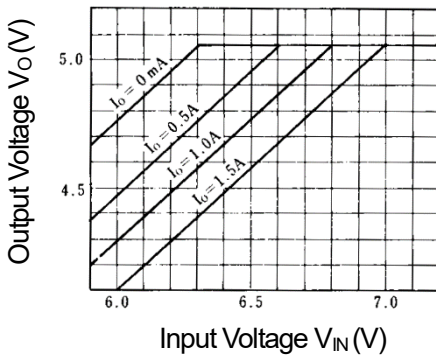


■ TYPICAL CHARACTERISTICS

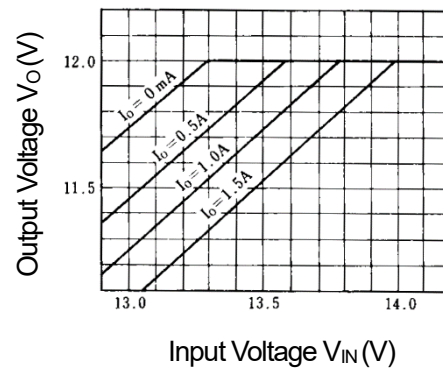
NJM7805/15/24 Output Characteristics
($I_o=0.5A, T_j=25^\circ C$)



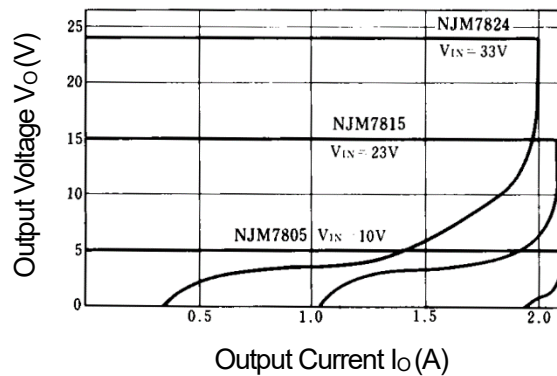
NJM7805 Dropout Characteristics
($T_j=25^\circ C$)



NJM7812 Dropout Characteristics
($T_j=25^\circ C$)

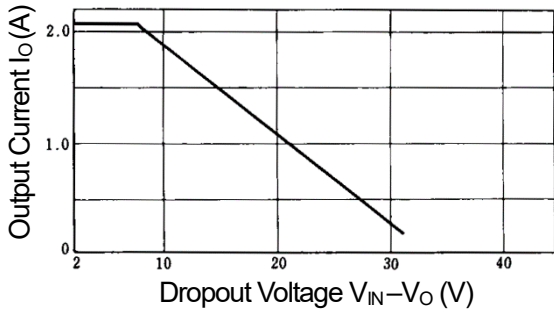


NJM7805/15/24 Load Characteristics
($T_j=25^\circ C$)

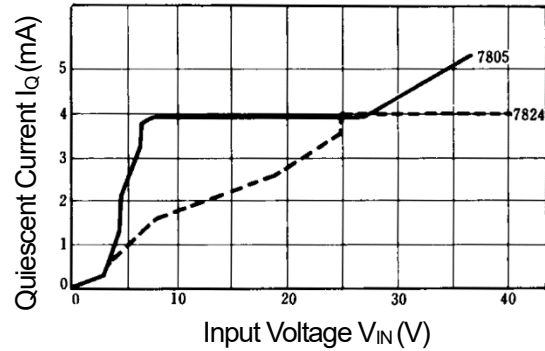


■ TYPICAL CHARACTERISTICS

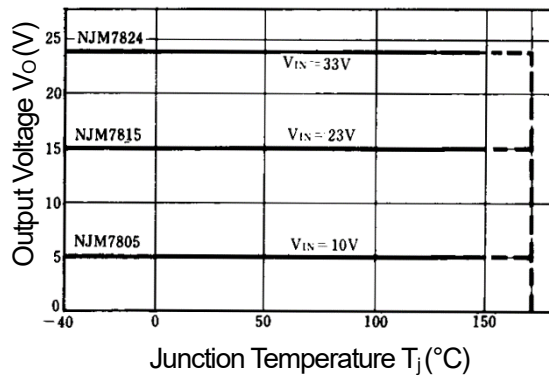
NJM7800 Series Short Circuit Output Current
($T_j=25^\circ\text{C}$, ∞ Heat Sink)



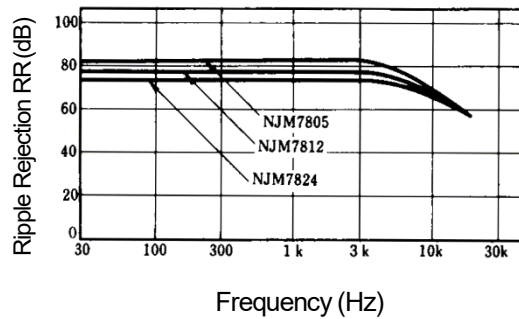
NJM7805/24 Quiescent Current vs. Input Voltage
($T_j=25^\circ\text{C}$,)



NJM7805/15/24 Output Voltage vs. Junction Temperature



NJM7805/15/24 Ripple Rejection vs. Frequency

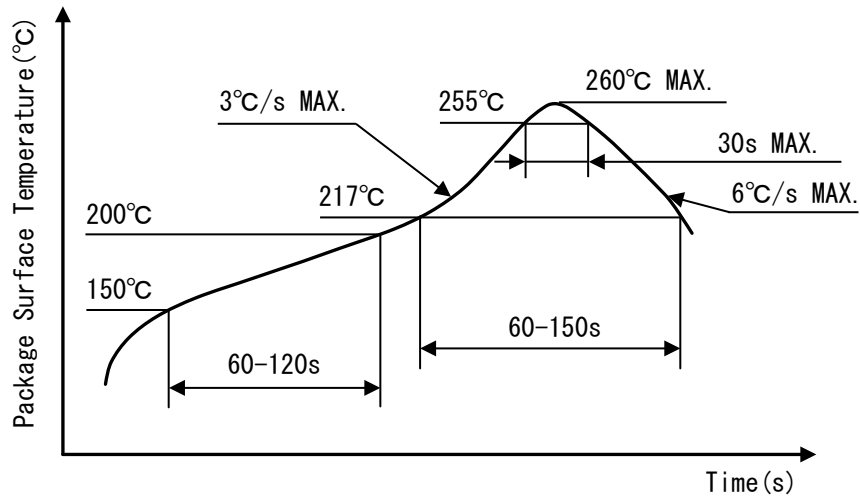


$V_{IN} = 10\text{V}$ (05) $e_{in} = 2\text{V}_{P-P}$
 19V (12)
 33V (24)
 $T_j = 25^\circ\text{C}$

■ REVISION HISTORY

Date	Revision	Changes
January 08,2023	Ver. 1.0	<ul style="list-style-type: none">• Change of company name and design form.• Change of revision number (Ver.2019-11-14 → Ver.1.0)• Added revision history

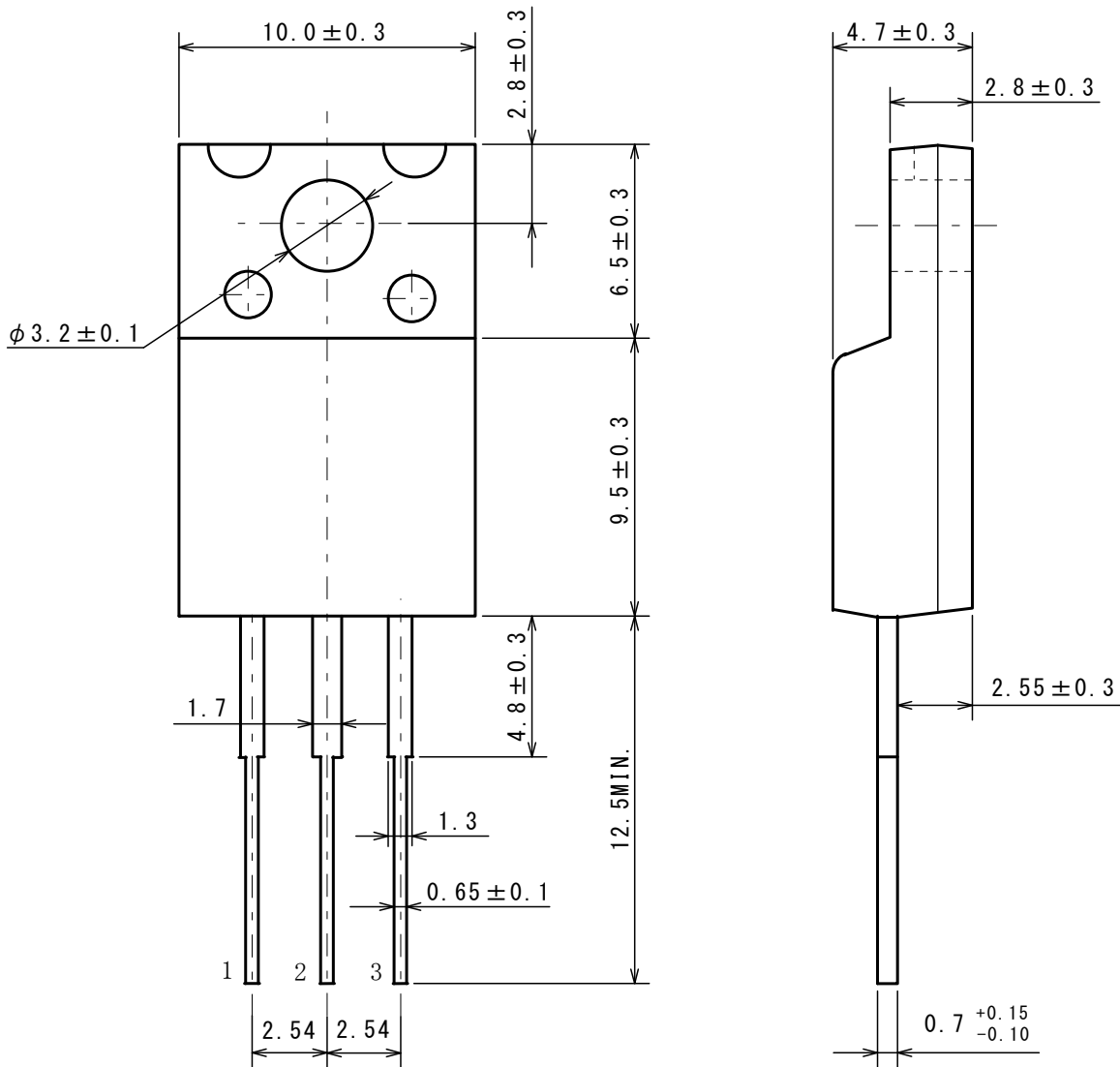
■ HEAT-RESISTANCE PROFILES



Reflow profile

■ PACKAGE DIMENSIONS

UNIT: mm



Nisshinbo Micro Devices Inc.

TO-220F-3

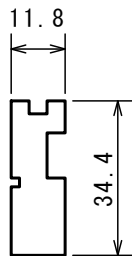
PI-TO-220F-3-E-B

■ PACKING SPEC

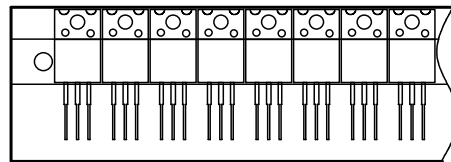
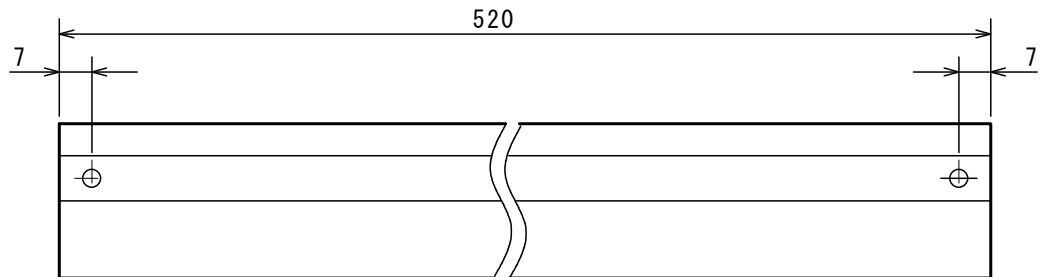
UNIT: mm

STICK STATE

Cross section

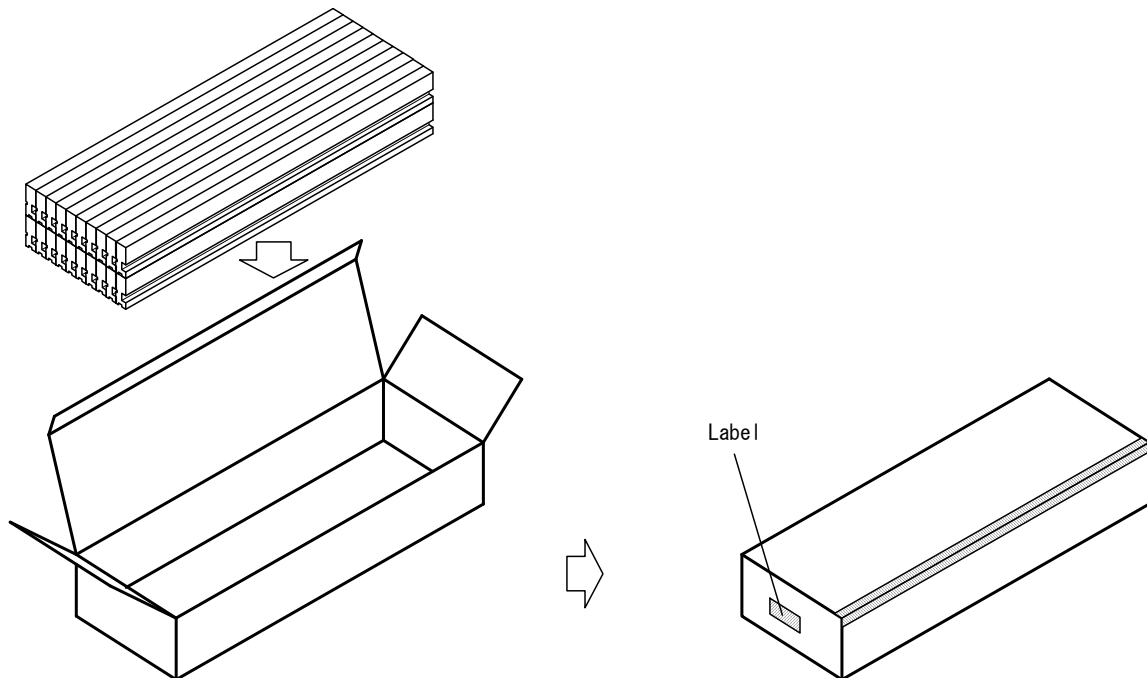


Stick (MAX. 50pcs)



Direction of 1pin.

PACKING STATE



Nisshinbo Micro Devices Inc.

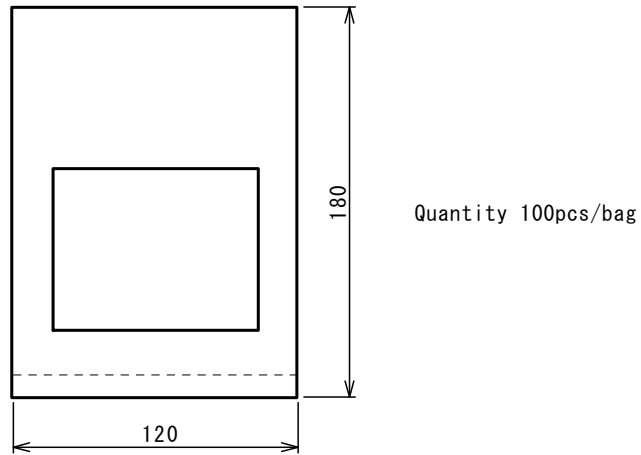
TO-220F-3

PI-TO-220F-3-E-B

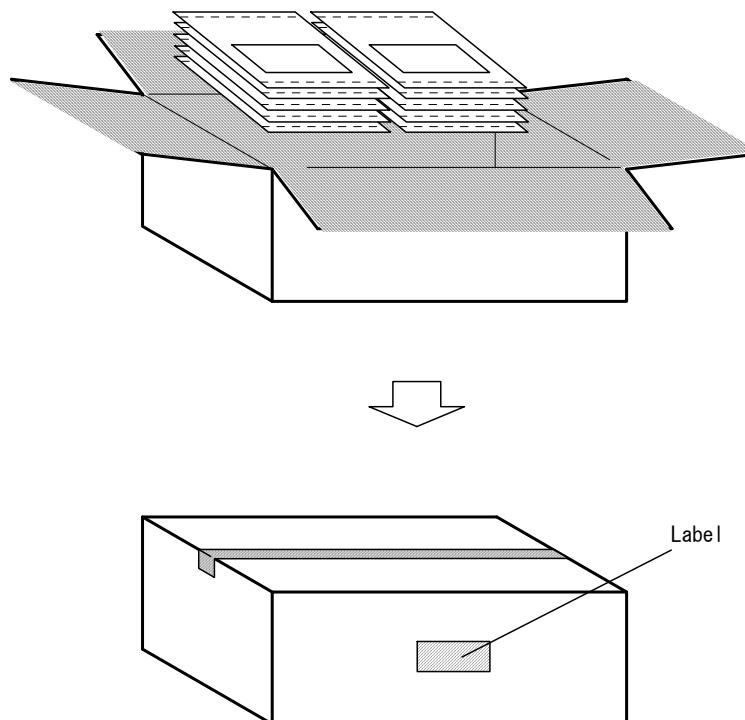
■ PACKING SPEC

UNIT: mm

BAG STATE



PACKING STATE



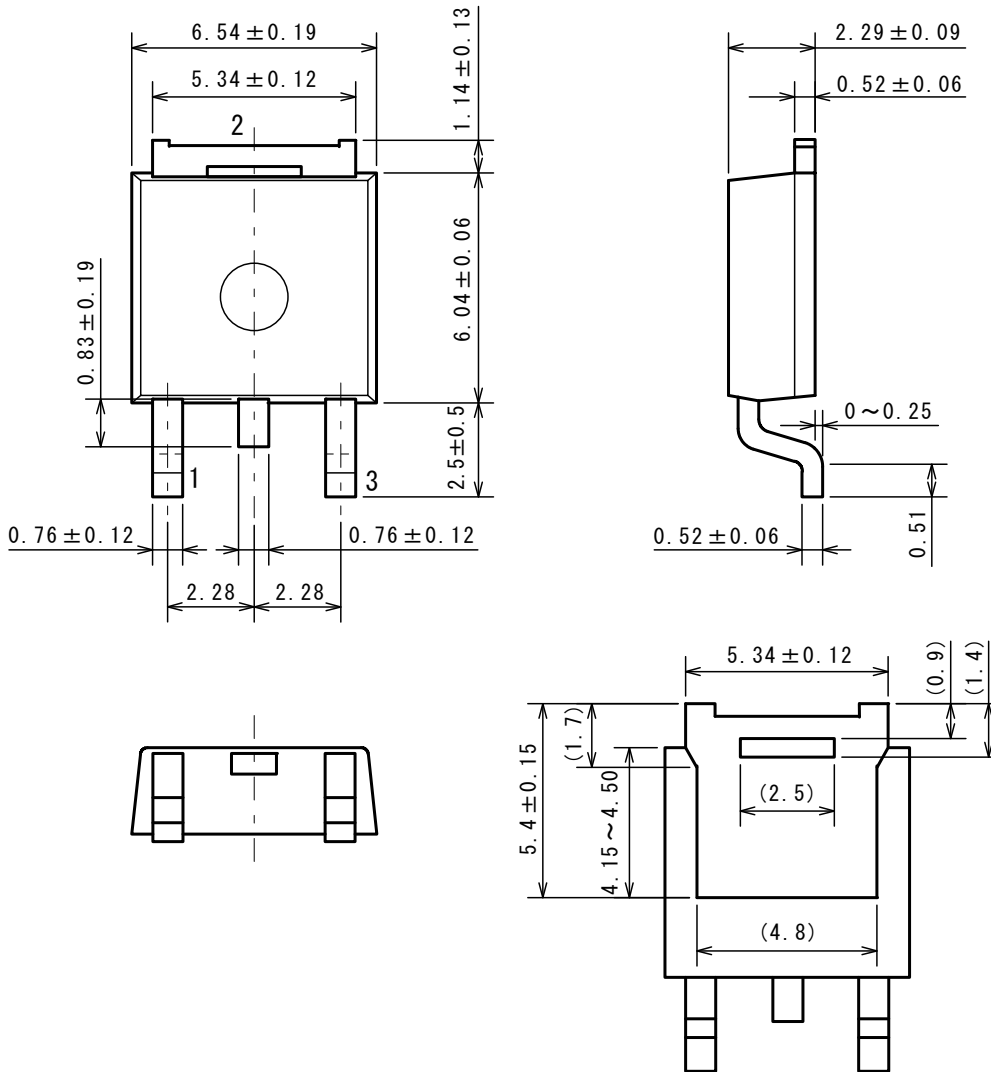
Nisshinbo Micro Devices Inc.

TO-252-3-L1

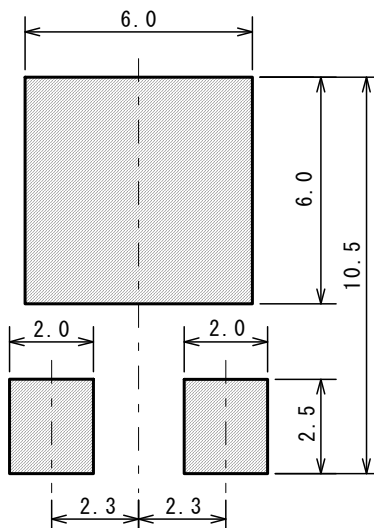
PI-TO-252-3-L1-E-A

■ PACKAGE DIMENSIONS

UNIT: mm



■ EXAMPLE OF SOLDER PADS DIMENSIONS



Nisshinbo Micro Devices Inc.

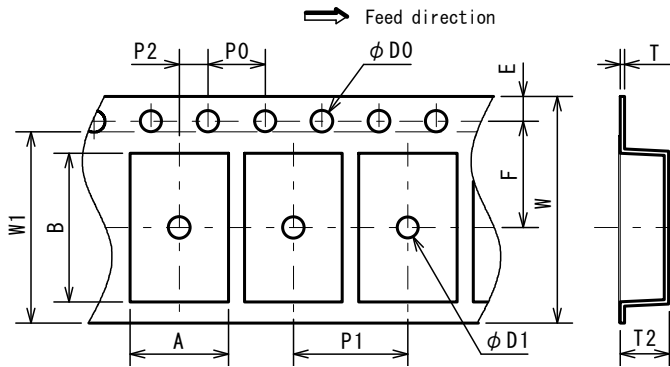
TO-252-3-L1

PI-TO-252-3-L1-E-A

■ PACKING SPEC

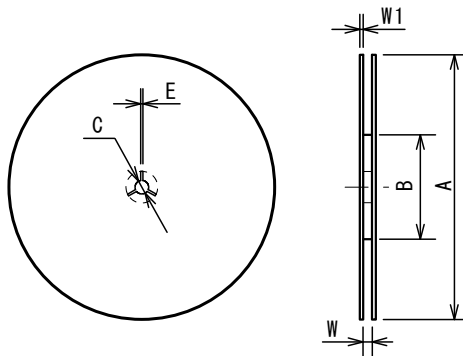
UNIT: mm

TAPING DIMENSIONS



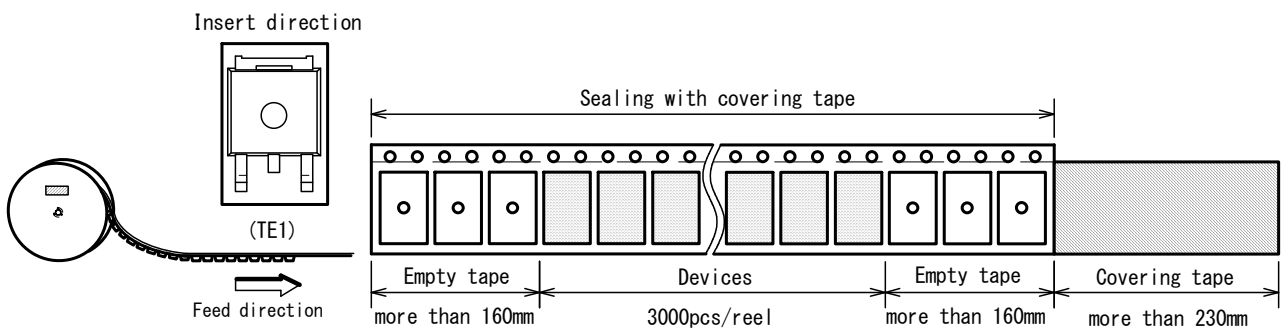
SYMBOL	DIMENSION	REMARKS
A	6.9±0.1	BOTTOM DIMENSION
B	10.5±0.1	BOTTOM DIMENSION
D0	1.5 ^{+0.1} ₀	
D1	1.5 ^{+0.1} ₀	
E	1.75±0.1	
F	7.5±0.05	
P0	4.0±0.1	
P1	8.0±0.1	
P2	2.0±0.05	
T	0.3±0.05	
T2	3.4 max	
W	16.0±0.3	
W1	13.5	THICKNESS 0.1max

REEL DIMENSIONS

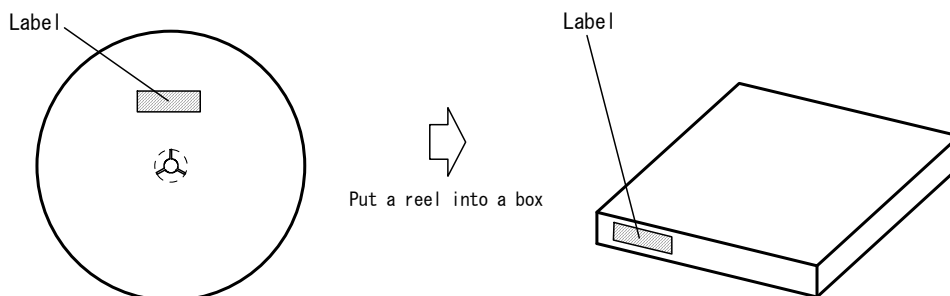


SYMBOL	DIMENSION
A	φ 330±2
B	φ 80±1
C	φ 13±0.5
E	2
W	17.5±0.5
W1	2±0.5

TAPING STATE



PACKING STATE



1. The products and the product specifications described in this document are subject to change or discontinuation of production without notice for reasons such as improvement. Therefore, before deciding to use the products, please refer to our sales representatives for the latest information thereon.
2. The materials in this document may not be copied or otherwise reproduced in whole or in part without the prior written consent of us.
3. This product and any technical information relating thereto are subject to complementary export controls (so-called KNOW controls) under the Foreign Exchange and Foreign Trade Law, and related politics ministerial ordinance of the law. (Note that the complementary export controls are inapplicable to any application-specific products, except rockets and pilotless aircraft, that are insusceptible to design or program changes.) Accordingly, when exporting or carrying abroad this product, follow the Foreign Exchange and Foreign Trade Control Law and its related regulations with respect to the complementary export controls.
4. The technical information described in this document shows typical characteristics and example application circuits for the products. The release of such information is not to be construed as a warranty of or a grant of license under our or any third party's intellectual property rights or any other rights.
5. The products listed in this document are intended and designed for use as general electronic components in standard applications (office equipment, telecommunication equipment, measuring instruments, consumer electronic products, amusement equipment etc.). Those customers intending to use a product in an application requiring extreme quality and reliability, for example, in a highly specific application where the failure or misoperation of the product could result in human injury or death should first contact us.
 - Aerospace Equipment
 - Equipment Used in the Deep Sea
 - Power Generator Control Equipment (nuclear, steam, hydraulic, etc.)
 - Life Maintenance Medical Equipment
 - Fire Alarms / Intruder Detectors
 - Vehicle Control Equipment (automotive, airplane, railroad, ship, etc.)
 - Various Safety Devices
 - Traffic control system
 - Combustion equipment

In case your company desires to use this product for any applications other than general electronic equipment mentioned above, make sure to contact our company in advance. Note that the important requirements mentioned in this section are not applicable to cases where operation requirements such as application conditions are confirmed by our company in writing after consultation with your company.

6. We are making our continuous effort to improve the quality and reliability of our products, but semiconductor products are likely to fail with certain probability. In order to prevent any injury to persons or damages to property resulting from such failure, customers should be careful enough to incorporate safety measures in their design, such as redundancy feature, fire containment feature and fail-safe feature. We do not assume any liability or responsibility for any loss or damage arising from misuse or inappropriate use of the products.
7. The products have been designed and tested to function within controlled environmental conditions. Do not use products under conditions that deviate from methods or applications specified in this datasheet. Failure to employ the products in the proper applications can lead to deterioration, destruction or failure of the products. We shall not be responsible for any bodily injury, fires or accident, property damage or any consequential damages resulting from misuse or misapplication of the products.
8. **Quality Warranty**
 - 8-1. **Quality Warranty Period**

In the case of a product purchased through an authorized distributor or directly from us, the warranty period for this product shall be one (1) year after delivery to your company. For defective products that occurred during this period, we will take the quality warranty measures described in section 8-2. However, if there is an agreement on the warranty period in the basic transaction agreement, quality assurance agreement, delivery specifications, etc., it shall be followed.
 - 8-2. **Quality Warranty Remedies**

When it has been proved defective due to manufacturing factors as a result of defect analysis by us, we will either deliver a substitute for the defective product or refund the purchase price of the defective product.

Note that such delivery or refund is sole and exclusive remedies to your company for the defective product.
 - 8-3. **Remedies after Quality Warranty Period**

With respect to any defect of this product found after the quality warranty period, the defect will be analyzed by us. On the basis of the defect analysis results, the scope and amounts of damage shall be determined by mutual agreement of both parties. Then we will deal with upper limit in Section 8-2. This provision is not intended to limit any legal rights of your company.
9. Anti-radiation design is not implemented in the products described in this document.
10. The X-ray exposure can influence functions and characteristics of the products. Confirm the product functions and characteristics in the evaluation stage.
11. WLCSP products should be used in light shielded environments. The light exposure can influence functions and characteristics of the products under operation or storage.
12. Warning for handling Gallium and Arsenic (GaAs) products (Applying to GaAs MMIC, Photo Reflector). These products use Gallium (Ga) and Arsenic (As) which are specified as poisonous chemicals by law. For the prevention of a hazard, do not burn, destroy, or process chemically to make them as gas or power. When the product is disposed of, please follow the related regulation and do not mix this with general industrial waste or household waste.
13. Please contact our sales representatives should you have any questions or comments concerning the products or the technical information.



Nisshinbo Micro Devices Inc.

Official website

<https://www.nisshinbo-microdevices.co.jp/en/>

Purchase information

<https://www.nisshinbo-microdevices.co.jp/en/buy/>